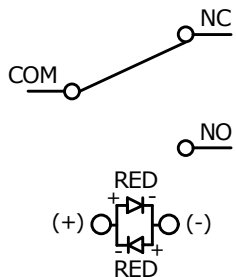
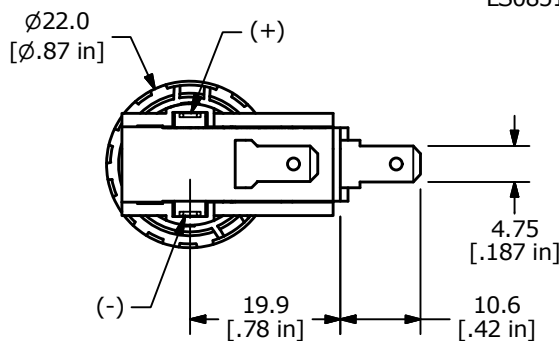
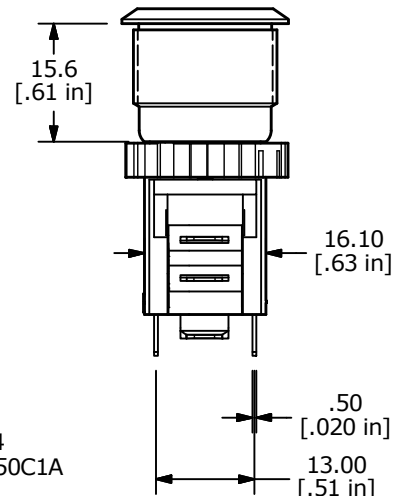
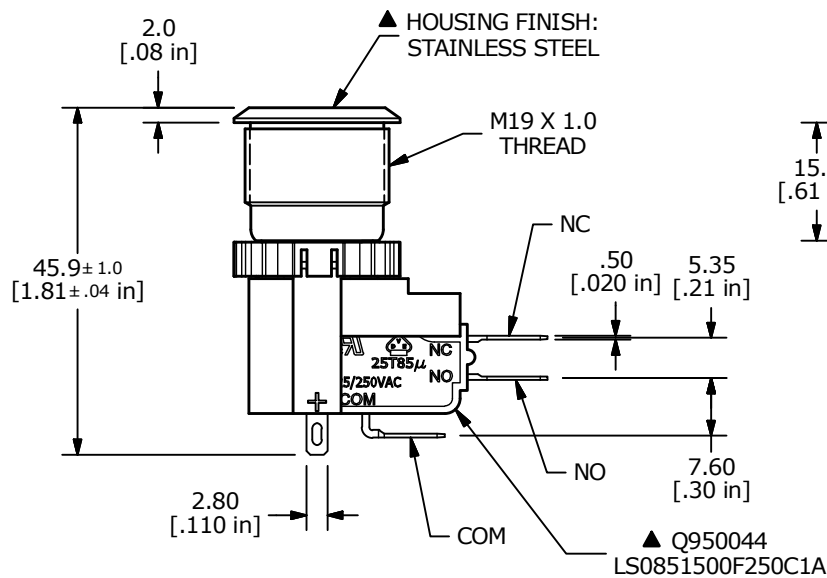
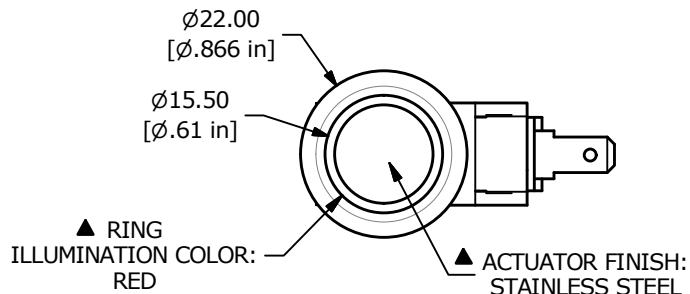


RECOMMENDED PANEL CUTOUT  
PANEL THICKNESS 1-10mm



▲ SCHEMATIC  
ON-(ON)  
SPDT ILLUMINATED  
( ) DENOTES MOMENTARY FUNCTION



NOTES:

1. ALL DIMENSIONS IN MM [INCH]
2. GENERAL TOLERANCE: X.X = ±0.4  
X.XX = ±0.25
3. RATING: 15A @ 125/250VAC
- ▲ 4. OPERATING FORCE: 3.5 ±1.5N
5. OPERATING TEMP: -25°C to 85°C
6. ELECTRICAL LIFE: 10,000 CYCLES MIN.
7. MECHANICAL LIFE: 1,000,000 CYCLES TYP.
8. INSULATION RESISTANCE: 100 MEGA-OHMS MIN.
9. DIELECTRIC STRENGTH: 1500VAC 1 MINUTE (INITIAL VALUE)
10. CONTACT RESISTANCE: 100 MILLI-OHMS MAX.
11. ▲ DENOTES CRITICAL PARAMETER.
- ▲ 12. LAMP VOLTAGE: 12V
13. TRAVEL: 3.2mm
14. HEX NUT TORQUE: 1-3Nm
15. INGRESS PROTECTION: IP67
16. HARDWARE SUPPLIED: O-RING AND HEXNUT



TITLE SAV4F1BSS314				
SCALE 1:1	DATE 9/16/2019	DR MW	DWG T954003	REV A

THE INFORMATION CONTAINED IN THIS DOCUMENT IS PROPRIETARY TO E-SWITCH AND IS NOT TO BE COPIED OR TRANSFERRED

A	24040	RELEASE	9/16/19	MW
REV	PCR NO	DESCRIPTION	DATE	BY